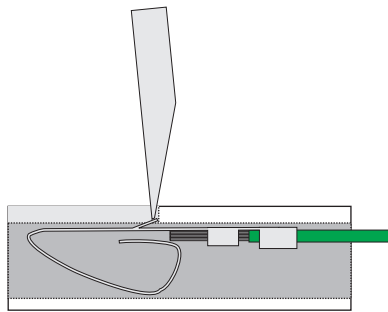
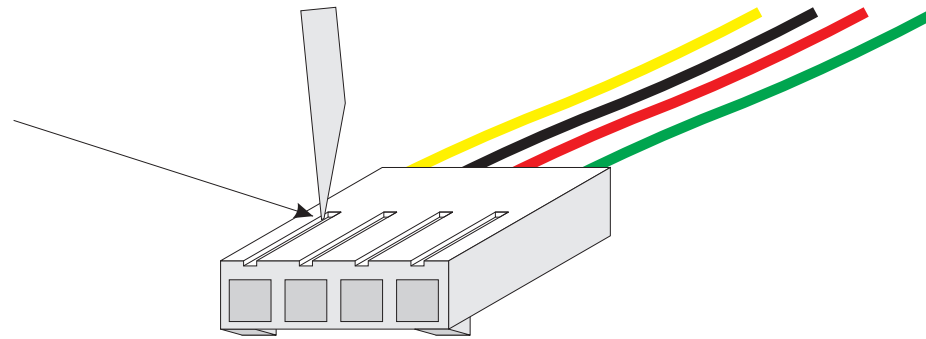
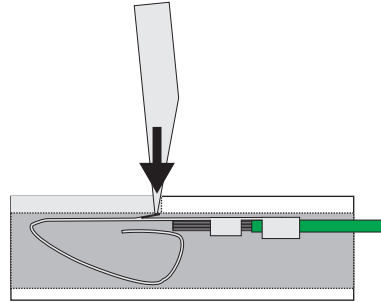


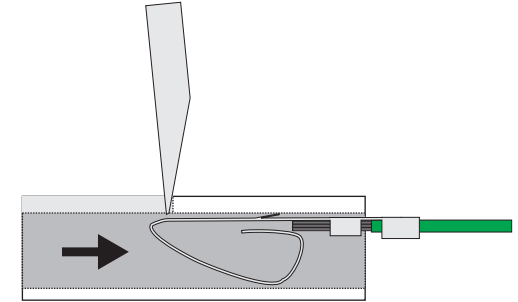
the end of each wire has pins with tabs that pop up and hook onto the end of the slots in the connector located above each wire



put something with a sharp point on the locking tab



push down on locking tab to release pin



while pushing on locking tab, pull the wire out of connector

to insert wire, simply reverse the above process, making sure the locking tab is pointed up toward the slot in the connector so it will lock into place.

NOTE: If the wire pulls out easily after switching them, you may need to take a sharp knife, etc. and bend the locking tab up slightly to allow it to lock into place once inserted into the connector.