

OPTIC-1 WIRING INSTRUCTION SHEET

Spinner Setup

Wiring Instructions:

On an OPTIPAC or similar encoder the wiring is simple.

Connect the +5v from the encoder to +5v on the Optic-1 (red wire)

Connect the Ground (GND) from the encoder to the ground (GND) on the Optic-1 (black wire)

Connect X1 from the encoder to S1 on the Optic-1 (green wire)

Connect X2 from the encoder to S2 on the Optic-1 (yellow wire)

If for some reason the cursor or onscreen object moves backwards simply reverse the S1 and S2 lines (green and yellow wires).

If you can't get any movement at all check the following items:

- ♦ Make sure the encoder (i.e. OPTIPAC) is working properly
- ♦ Double check the red and black wires (power)
- ♦ Check the spacing and depth of the encoder wheel (it may be necessary to make slight adjustments to get an encoder wheel in the "sweet spot" on the optic board)

If none of the above procedures fixes the problem, please contact us at michael@grugel.com for further assistance.

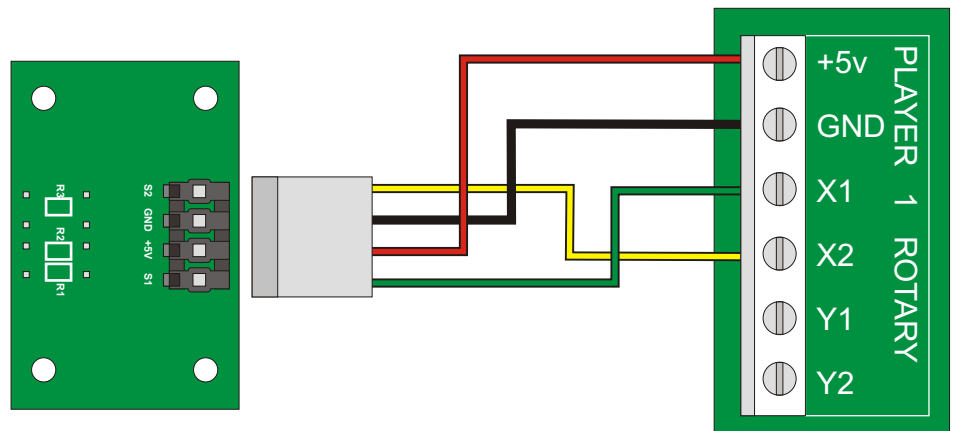
Mounting Instructions:

Mount optic board so that the encoder wheel is in center of the optics slot as shown.

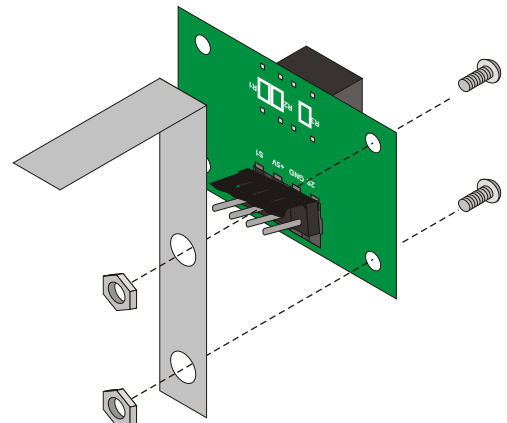
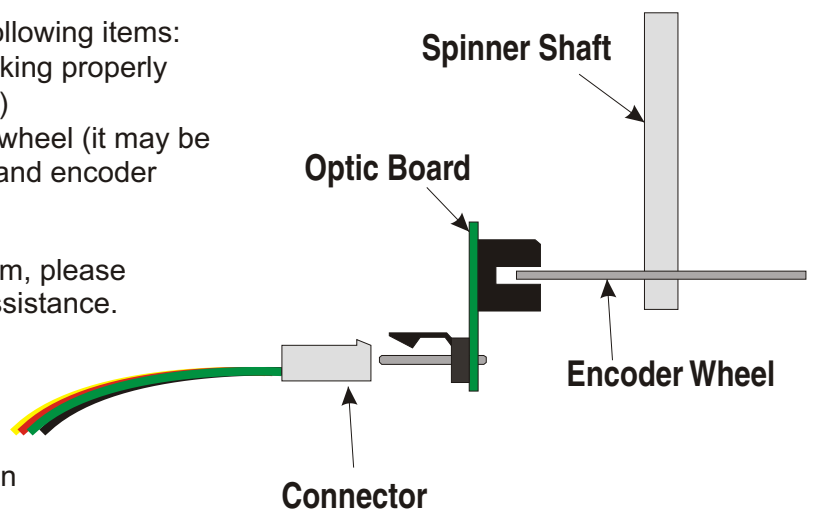
The appropriate depth of the encoder wheel is about half way into the slot but you may have to adjust in or out slightly to get the most reliable signal.

The optic board may be mounted as shown using the existing holes (if specified during ordering).

The board may also be drilled anywhere that does not touch an electrical trace to accommodate your custom applications such as a Tempest Spinner, Driving Wheel, etc.



Optic-1 to OPTIPAC sample wiring diagram



OPTIC-1 WIRING INSTRUCTION SHEET

Trackball Setup

Wiring Instructions:

If using a pre-made trackball wiring harness with the Optic-1 board connect the boards and test the trackball. If the up/down or left/right are reversed then switch the green and yellow wires and/or the blue and purple wires until the trackball operates normally.

If you are wiring the trackball directly to the encoder (i.e. OPTIPAC) use the following instructions:

Connect the +5v from the encoder to +5v on the Optic-1 (red wire)

Connect the Ground (GND) from the encoder to the ground (GND) on the Optic-1 (black wire)

Connect X1 from the encoder to S2 on the Optic-1 (green wire)

Connect X2 from the encoder to S1 on the Optic-1 (yellow wire)

Note: the signal wires are reversed in the trackball mode.

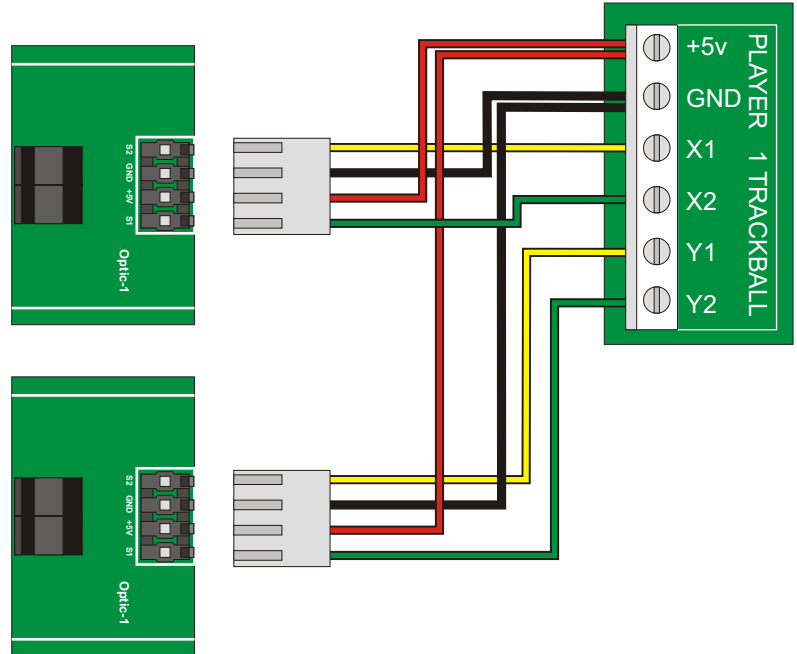
Mounting Instructions:

If for some reason the cursor or onscreen object moves backwards simply reverse the S1 and S2 lines (green and yellow wires) on the Optic-1 connector.

If you can't get any movement at all check the following items:

- ◆ Make sure the encoder (i.e. OPTIPAC) is working properly
- ◆ Double check the red and black wires (power)
- ◆ Check the spacing and depth of the encoder wheel (it may be necessary to make slight adjustments to get an encoder wheel in the "sweet spot" on the optic board)

If none of the above procedures fixes the problem, please contact us at michael@grugel.com for further assistance.



Optic-1 to OPTIPAC Trackball wiring diagram

